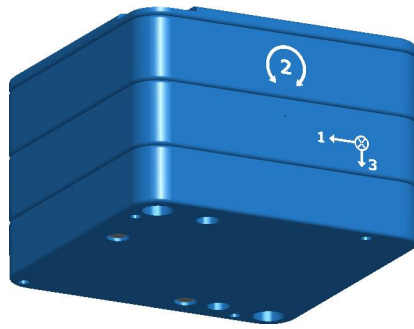


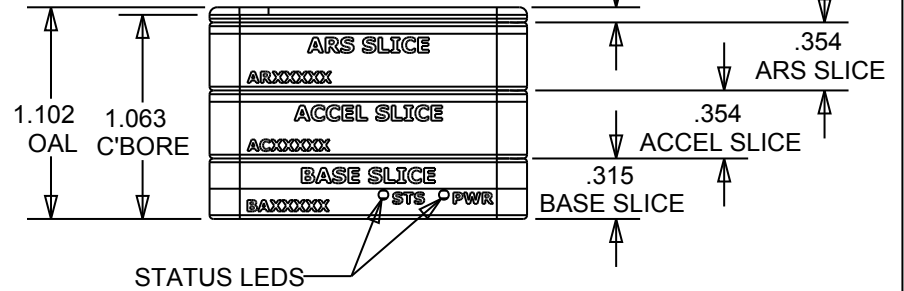
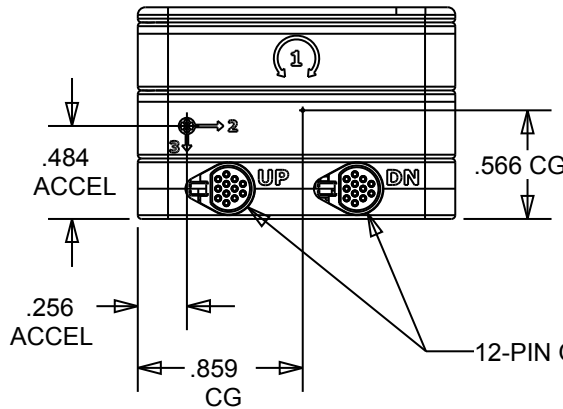
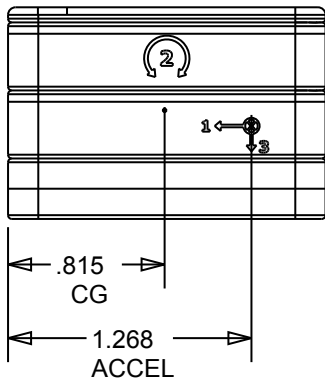
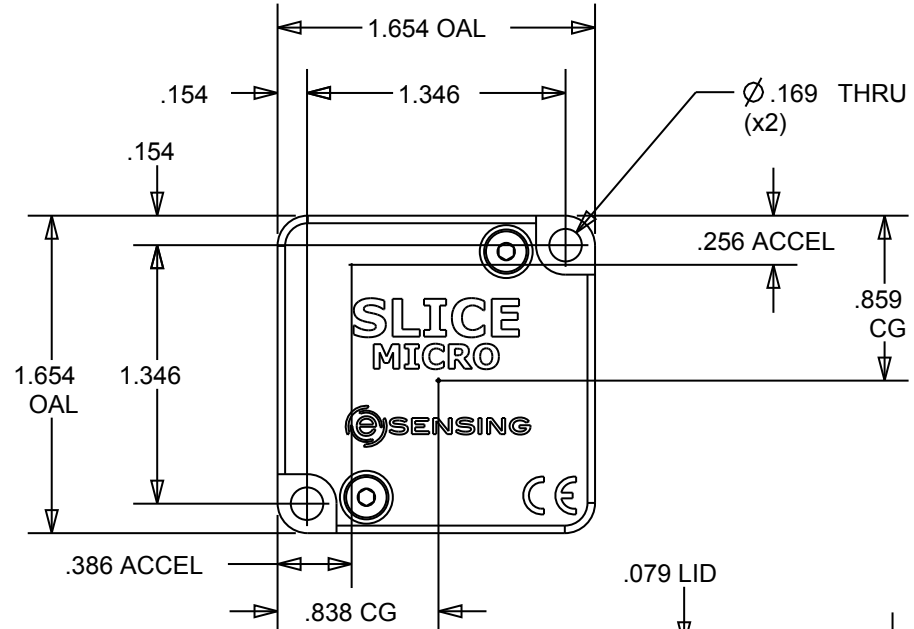
REVISIONS			
REV	DESCRIPTION	DATE	APPR



**DIMENSIONS IN INCHES**

HOLE TOLERANCE +0.008/-0.002"  
 HOLE LOCATIONS ± 0.01"  
 ACCEL LOCATIONS ±0.1"  
 C.G. DIMENSIONS ±0.1"  
 ALL OTHER ±0.02"


"OAL" DIMENSIONS ARE OVERALL DIMENSIONS  
 "CG" DIMENSIONS TO CENTER OF GRAVITY  
 "ACCEL" DIMENSIONS TO ACCELEROMETER AXIS INTERSECTION  
 "C'BORE" DIMENSION TO COUNTERBORE SURFACE



**WEIGHT:**

SCREWS = 3 GRAMS  
 TOP LID = 9 GRAMS  
 ARS SLICE = 35 ± 4 GRAMS  
 ACCEL SLICE = 35 ± 4 GRAMS  
 BASE SLICE = 28 ± 2 GRAMS

**TOTAL WEIGHT = 110 ± 10 GRAMS**

UNLESS OTHERWISE SPECIFIED DIMENSION ARE IN INCHES TOLERANCES ARE: FRACTIONS: DECIMALS: ANGLES: MACHINED: $\pm 1/64$ .X ± .1 ± .5° 125 ✓ .XX ± .01 .XXX ± .002 <b>DO NOT SCALE DRAWING</b>		 909 ELECTRIC AVE, SUITE 206 SEAL BEACH, CA 90740 562-493-0158	
MATERIAL:		NAME/DESC: <b>SLICE MICRO MOUNTING DIMS, BASE + ACCEL + ARS + LID</b>	
DRAWING NO:		REV: 0	
DRAWN BY: G NEWTON 6/15/09		SIZE: A	SCALE 1:1
		SHEET 1 OF 1	